

## Ball valve type 21 with pneumatic actuator



body material	PVC-U	PVC-C	PP	PVDF
ball seat	PTFE			
other seats	• EPDM	• FPM	• *)	
working temperature	0 °C to 50 °C <sup>1)</sup>	0 °C to 90 °C <sup>1)</sup>	-20 °C to 80 °C <sup>1)</sup>	-20 °C to 100 °C <sup>1)</sup>
Nennweiten	DN 15 to DN 100			
connection with pipe	<ul style="list-style-type: none"> <li>• socket or spigot end</li> <li>• flanged end acc. to DIN 2501 - PN 10<sup>2)</sup></li> </ul>		<ul style="list-style-type: none"> <li>• socket or spigot end</li> <li>• threaded end</li> </ul>	
length	EN 558-1 series FTF 1 (DIN 3202-series F 1)			
actuator	pneumatic, single acting (air to open) / double acting			
accessories	limit switches, solenoid valves			

<sup>\*)</sup> special version: CSM, NBR, FPM-F, FEP/Parofluor on request

<sup>1)</sup> working temperatures for seat materials:

EPDM: -20 to 90 °C

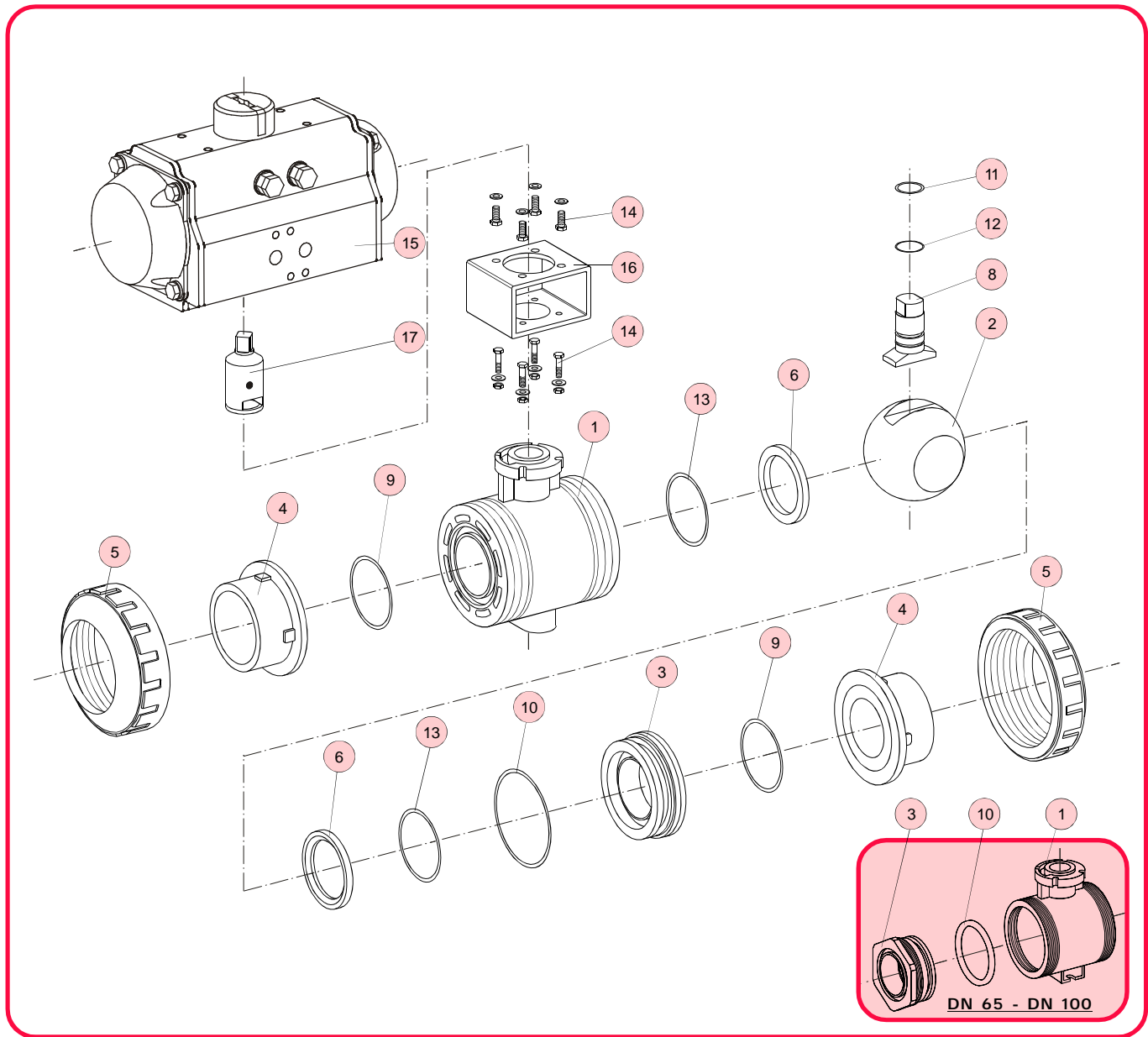
NBR: -20 to 100 °C

FPM: -8 to 100 °C

### example for an advertised bidding:

Ball valve type 21 DN 25, PN 10, PP/EPDM, spigot end PP-R SDR 11, integrated mounting, with pneumatic actuator type SC 15/6, single acting, air to open, 6 bar air pressure

# Ball valve type 21 with pneumatic actuator



no.	name	pcs.	material
1	body	1	PVC-U, PVC-C, PP, PVDF
2	ball <sup>*)</sup>	1	PVC-U, PVC-C, PP, PVDF
3	carrier	1	PVC-U, PVC-C, PP, PVDF
4	end connector (spigot, socket, flange)	2	PVC-U, -C, PE, PP, PVDF
5	union nut	2	PVC-U, PVC-C, PP, PVDF
6	ball seat <sup>*)</sup>	2	PTFE
8	stem <sup>*)</sup>	1	PVC-U, PVC-C, PP, PVDF
9	O-ring <sup>*)</sup>	2	EPDM, FPM

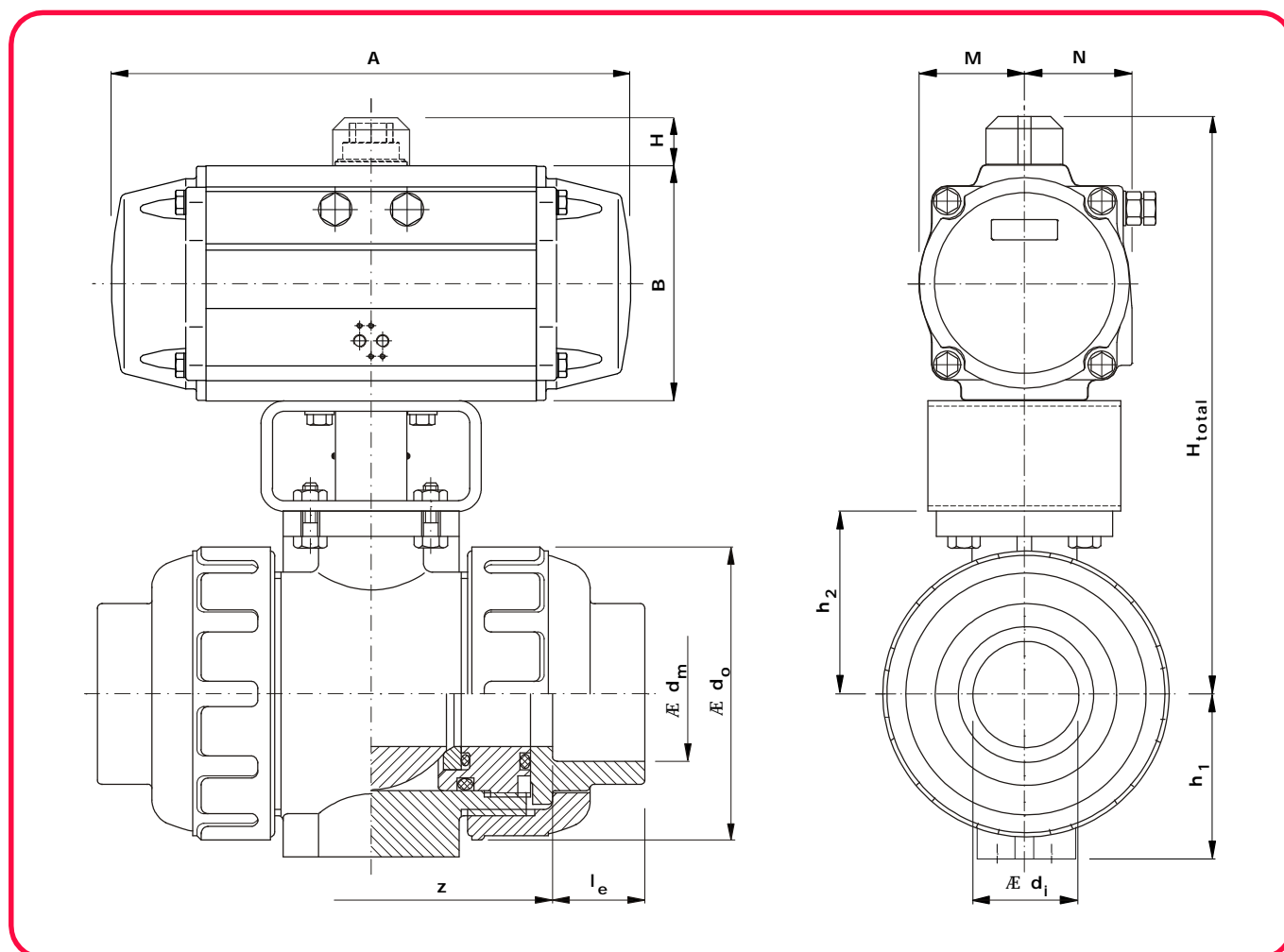
no.	name	pcs.	material
10	O-ring <sup>*)</sup>	1 <sup>2)</sup>	EPDM, FPM <sup>1)</sup>
11	O-ring <sup>*)</sup>	1	EPDM, FPM <sup>1)</sup>
12	O-ring <sup>*)</sup>	1	EPDM, FPM <sup>1)</sup>
13	O-ring <sup>*)</sup>	2	EPDM, FPM <sup>1)</sup>
14	screw, washer / nut	8/4	mat.-nr. 1.4301
15	actuator	1	al. alloy, normal anodized
16	bracket / ISO	1	mat.-nr. 1.4301
17	coupling	1	aluminium, black anodized

<sup>\*)</sup> wearing parts

<sup>1)</sup> special version: CSM, NBR, FPM-F, FEP/Parofluor on request

<sup>2)</sup> DN 65 to DN 100: 2 pc.

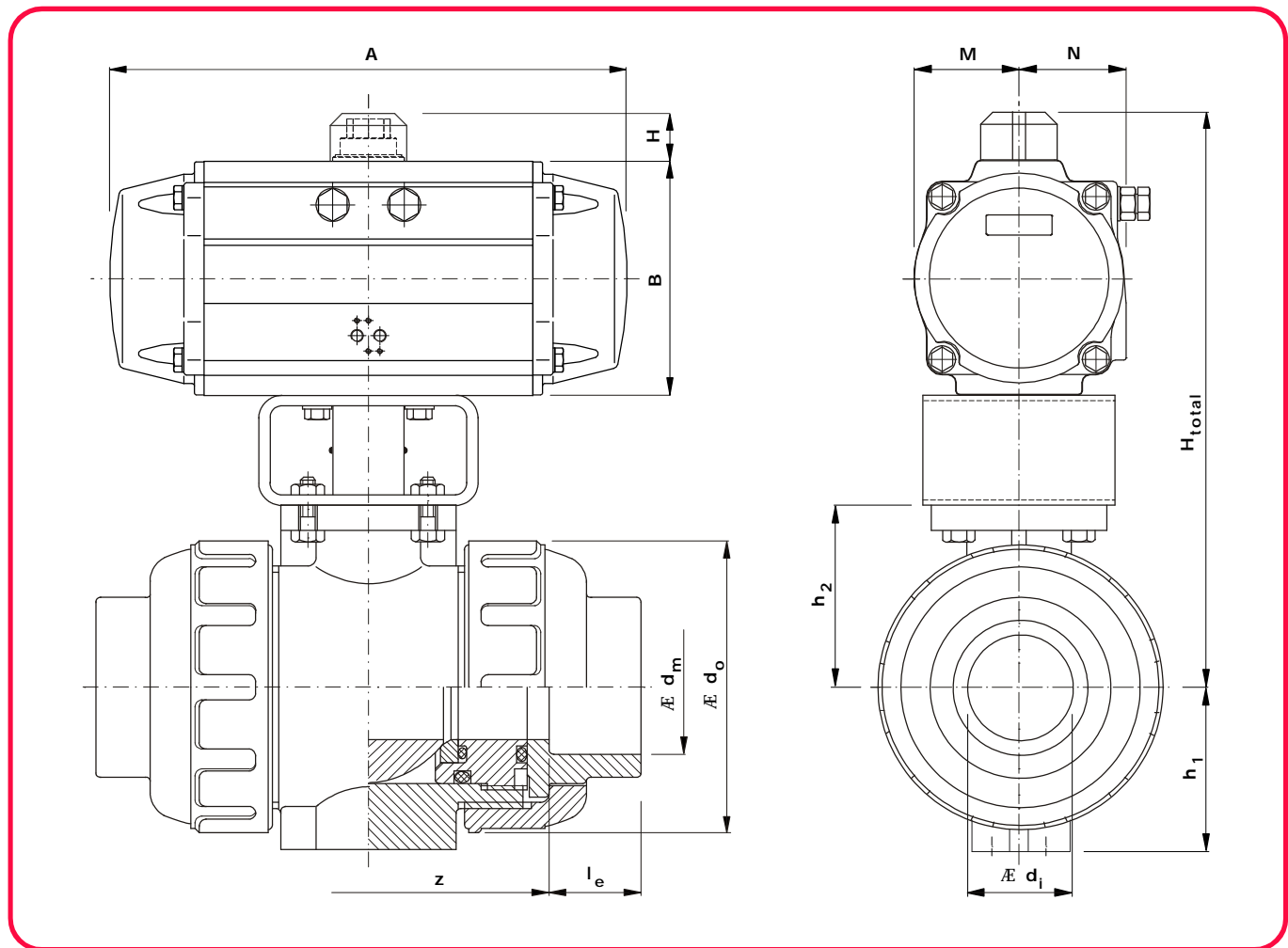
# Ball valve type 21 with pneumatic actuator, single acting, 6 bar air pressure



dimensions in mm													actuator			weight in kg/pc.							
DN	PVC socket			PP, PVDF socket			h <sub>2</sub>	h <sub>1</sub>	B	H	H <sub>total</sub>	A	M	N	type	air [l/lift]	t <sub>s</sub> [sec]	socket end					
	d <sub>i</sub>	d <sub>o</sub>	d <sub>m</sub>	z	l <sub>e</sub>	d <sub>m</sub>												z	l <sub>e</sub>	PVC-U	PVC-C	PP	PVDF
15	16	48	20	70	16	19,50	70	14,5	30	29	69	20	169	141	29	42	SC15/6	0,63	0,3	1,86	1,86	1,81	1,91
20	20	60	25	82	19	24,50	82	16	36,5	35	69	20	169	141	29	42	SC15/6	0,63	0,3	1,96	2,01	1,86	2,01
25	25	70	32	87	22	31,50	87	18,1	43,5	39	69	20	169	141	29	42	SC15/6	0,63	0,3	2,11	2,11	1,96	2,16
32	31	82	40	98	26	39,45	98	20,5	52,5	47	85	20	192	159	36	47	SC30/6	1,12	0,4	2,46	2,51	2,21	2,61
40	40	100	50	101	31	49,45	101	23,5	61	55	85	20	216	159	36	47	SC30/6	1,12	0,4	3,45	3,50	3,10	3,65
50	51	126	63	121	38	62,50	121	27,4	72,5	66	102	20	228	211	43	52	SC60/6	2,17	0,5	2,60	2,70	2,05	3,00
65	68	133	75	145	44	74,30	145	31	85	72	102	20	267	211	43	52	SC60/6	2,17	0,5	8,01	8,18	7,19	8,41
80	68,5	152	90	180	51	89,20	180	35,5	94	85	115	20	291	248	50	57	SC100/6	3,57	0,6	10,34	10,94	9,32	11,24
100	90	210	110	227	61	109,10	227	41,5	126	110	145	30	381	315	64	77	SC220/6	8,33	1,1	23,32	24,12	19,02	25,62

other connections see L4-16/99  
data of actuators see L10-1,2/99

# Ball valve type 21 with pneumatic actuator, double acting, 6 bar air pressure



dimensions in mm													actuator			weight in kg/pc.							
DN	d <sub>i</sub>	d <sub>o</sub>	PVC socket			PP, PVDF socket			h <sub>2</sub>	h <sub>1</sub>	B	H	H <sub>total</sub>	A	M	N	type	air [l/lift]	t <sub>s</sub> [sec]	socket end			
			d <sub>m</sub>	z	l <sub>e</sub>	d <sub>m</sub>	z	l <sub>e</sub>												PVC-U	PVC-C	PP	PVDF
15	16	48	20	70	16	19,50	70	14,5	30	29	69	20	169	141	29	42	DR15	1,68	0,3	1,75	1,76	1,68	1,79
20	20	60	25	82	19	24,50	82	16	36,5	35	69	20	176	141	29	42	DR15	1,68	0,3	1,85	1,88	1,75	1,90
25	25	70	32	87	22	31,50	87	18,1	43,5	39	69	20	183	141	29	42	DR15	1,68	0,3	1,98	2,01	1,83	2,07
32	31	82	40	98	26	39,45	98	20,5	52,5	47	69	20	192	141	29	42	DR15	1,68	0,3	2,41	2,46	2,16	2,56
40	40	100	50	101	31	49,45	101	23,5	61	55	69	20	200	141	29	42	DR15	1,68	0,3	2,81	2,86	2,41	3,01
50	51	126	63	121	38	62,50	121	27,4	72,5	66	69	20	212	141	29	42	DR15	1,68	0,3	3,46	3,61	2,86	3,86
65	68	133	75	145	44	74,30	145	31	85	72	85	20	251	159	36	47	DR30	2,94	0,3	7,04	7,21	6,22	7,44
80	68,5	152	90	180	51	89,20	180	35,5	94	85	102	20	276	211	43	52	DR60	5,60	0,4	9,90	10,50	8,88	10,80
100	90	210	110	227	61	109,10	227	41,5	126	110	115	20	341	248	50	57	DR100	9,03	0,5	17,49	18,29	13,19	19,79

other connections see L4-16/99  
data of actuators see L10-1,2/99